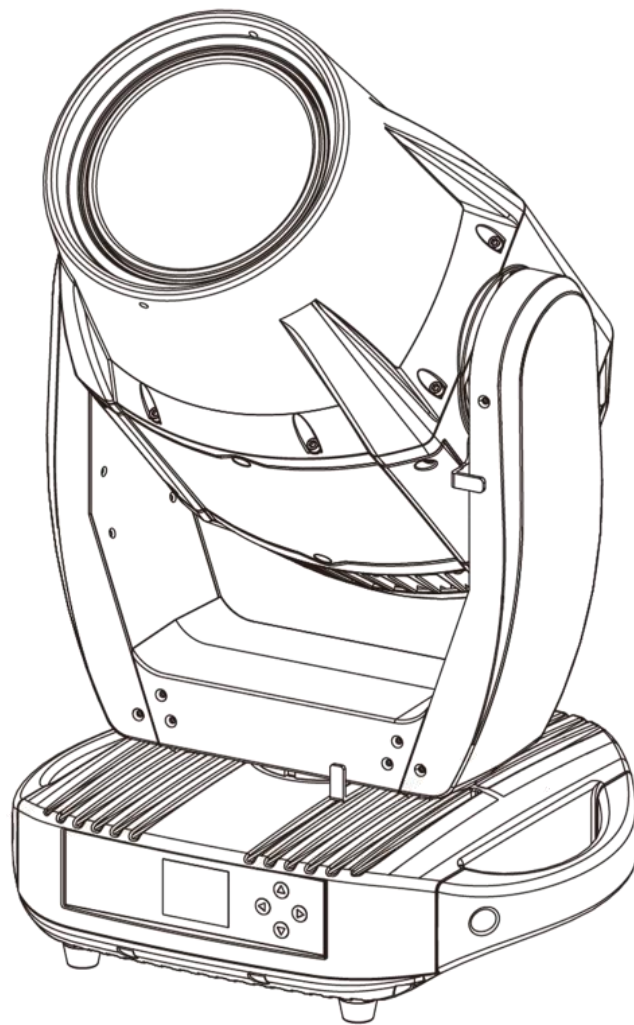


**LEDING**



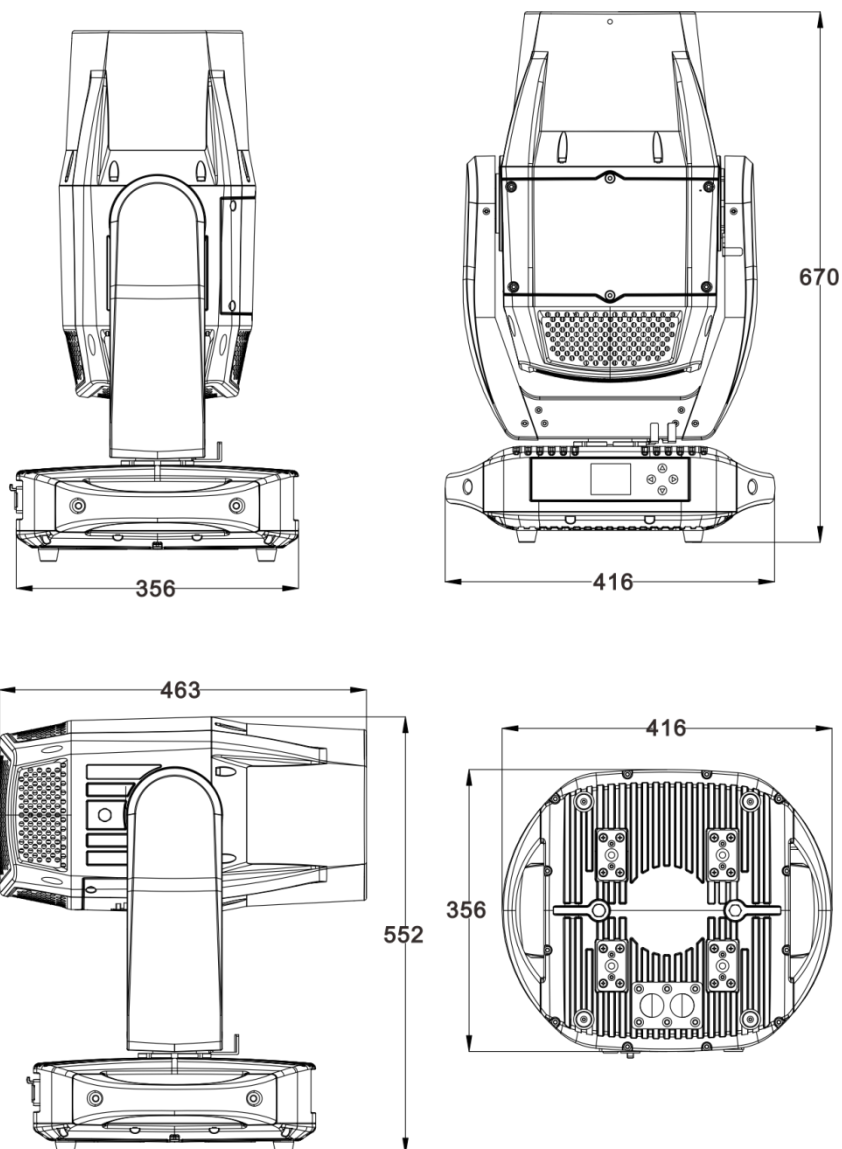
**storm S45**

USER MANUAL

1 PRODUCT

1.1 TECHNICAL SPECIFICATIONS

LED colors	450W LED
Angle	2,7° -30°
Power	560W
Control Protocol	DMX/RDM/ARTNET/sACN/WEB server/W-DMX (Optional)
Voltage Range	AC100~240V,50/60Hz
Input Current	110V/5A,220V/2.5A
Protection	IP65
Operation Temperature	-20°C~45°C
Dimensions	416x356x670mm
Weight	34kg



1.2 Safety Notes

IMPORTANT

- This product must be installed by a qualified professional.
- In order to maintain this condition and to ensure a safe operation, it is absolutely necessary for the user to follow the safety instructions and warning notes
- The manufacturer will not accept liability for any resulting damages caused by the non-observance of this manual or any unauthorized modification to the device.

CAUTION!

- Make sure that the available voltage is not higher than stated on the rear panel.
- Do not touch the power cables if your hands are wet.
- The earth wire must always be connected to the ground. Therefore it is essential to connect the yellow/green conductor to earth.
- Make sure that the power-cord is never crimped or damaged by sharp edges. Check the device and the power-cord from time to time. The electric connection, repairs and servicing must be carried out by a qualified employee.
- Always disconnect power input cable to completely remove power from unit when not in use or before cleaning or servicing the fixture.
- Do not switch the fixture on and off in short intervals as this would reduce the lamp's life.
- Do not touch the device's housing bare hands during its operation (housing becomes hot)! The surface of the product's casing can reach up to 70° C (158° F) during operation. Avoid contact by persons and materials. Do not install the product in a location where there is a risk of accidental contact. Allow the product to cool for at least 10 minutes before handling.
- For replacement use lamps and fuses of same type and rating only.
- Please protect the fixture and avoid destroy during transport and installation. If there is any damage to the coating, the shell may be corroded.
- When hanging lamps and lanterns, it is necessary to verify that facilities and hooks can bear at least 10 times the weight of lamps and lanterns.
- Fix the safety rope at the correct holes only. Only operate the fixture after having checked that the housing is firmly closed and all screws are tightly fastened.
- The maximum ambient temperature 45°C must never be exceeded. Do not operate the product if the ambient temperature (Ta) exceeds 45° C (115° F).
- During the initial start-up some smoke or smell may arise. This is a normal process and does not necessarily mean that the device is defective.

Electrical Warning

- The light source contained in this luminaire shall only be replaced by the manufacturer or his service agent or a similar qualified person
- For replacement use lamps and fuses of same type and rating only.
- The lens has to be replaced when it is obviously damaged, so that its function is impaired, e. g. due to cracks or deep scratches!

Keep the product well away from flammable materials

- Keep all combustible materials (e.g. fabric, wood, paper) at least 10m (40 in.) away from the product.
- Ensure that there is free and unobstructed airflow around the product. Provide a minimum clearance of 150 mm (6 in.) around fans and air vents.
- Do not illuminate surfaces within 10 m (40 ft.) of the product.
- Do not install a fuse that has a higher rating than the one originally installed in the product. Do not bypass fuses.
- Do not stick filters, masks or other materials onto optical components.
- If the fixture seems to be abnormally hot, shows signs of melting or emits smoke, disconnect the fixture from power immediately and allow it to cool. Do not touch the fixture without heatproof safety gloves. Keep the fixture well away from combustible and flammable materials.

**NEVER LOOK DIRECTLY INTO THE LIGHT SOURCE!
RETINA INJURY RISK - MAY INDUCE BLINDNESS!**

Do not point the front of the fixture towards the sun or other strong light sources. The front lens focuses and concentrates light just like a magnifying glass. Strong light can cause internal damage to the fixture, melting components or starting an internal fire within seconds.

To avoid problems from strong light sources:

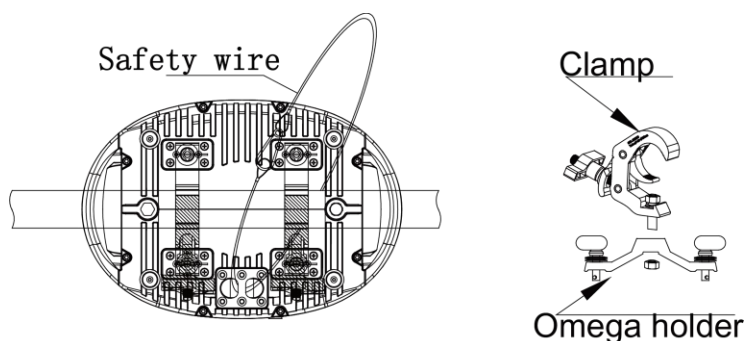
- Do not expose the front of a fixture to sunlight or any other strong light source. Avoid pointing other high-powered beam lights directly at the fixture.
- Do not focus a light beam from one lighting fixture directly towards another.
- For outdoor applications during daylight, make sure that the front face of any fixture is shielded or points away from the sun, even when not in use.
- Do not expose the product to heat (from other lighting fixtures for example).

2 INSTALLATION

2.1 MOUNTING

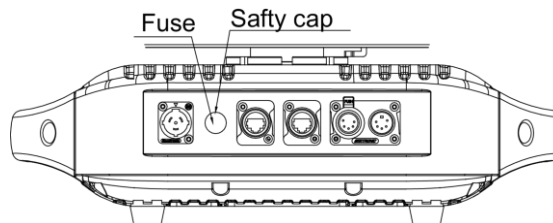
Truss installation

- ◆ Keep all combustible materials (e.g. fabric, wood, paper) at least 500 mm (20 in.) away from the product.
- ◆ For overhead use, always install a safety cable that can hold at least 10 times the weight of the fixture.
- ◆ For overhead installation, the fixture must be always secured with a safety wire that can bear at least 10 times the weight of the fixture;
- ◆ Secure the fixture with a safety cable through the rear safety eye and truss as shown..
- ◆ Ensure that the structure (truss) to which you are attaching the fixture is secure



2.2 Fuse replacement

- ◆ Remove the safety cap by a screwdriver.
- ◆ Fetch the old fuse from safety cap.
- ◆ Install a new fuse.
- ◆ Install the safety cap.



2.3 POWER CONNECTIONS

- ◆ This product has an auto-ranging power supply that can work with an input voltage range of 100–240 VAC, 50/60 Hz.

AC Plug

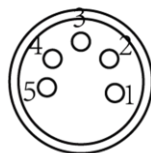
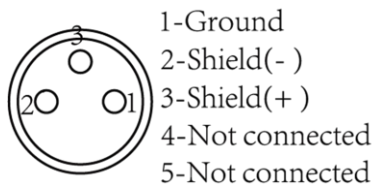
Connection	Wire (U.S.)	Wire(Europe)	Screw Color
AC Live	Black	Brown	Yellow/Brass
AC Neutral	White	Blue	Silver
AC Ground	Green/Yellow	Green/Yellow	Green

2.4 Data network requirements

- ◆ Connect the DMX512 controller to the units in series. A DMX 512 data link is required in order to control the fixture via DMX. The fixture has 3/5-pin XLR connectors for DMX data input and output.
- ◆ Each unit has N DMX channels so the DMX Addresses should increase by increments of 1, (Nx1)+1, (Nx2)+1, (Nx3)+1...
- ◆ Any DMX address in the range from 001 to 512 may be used.
- ◆ Connect the DMX-output of the first fixture in the DMX chain with the DMX-input of the next fixture. Always connect one output with the input of the next fixture until all fixtures are connected.
- ◆ Caution: At the last fixture, the DMX-cable has to be terminated with a terminator. Solder a 120 Ω resistor between Signal (-) and Signal (+) into a 3/5-pin XLR-plug and plug it in the DMX-output of the last fixture.

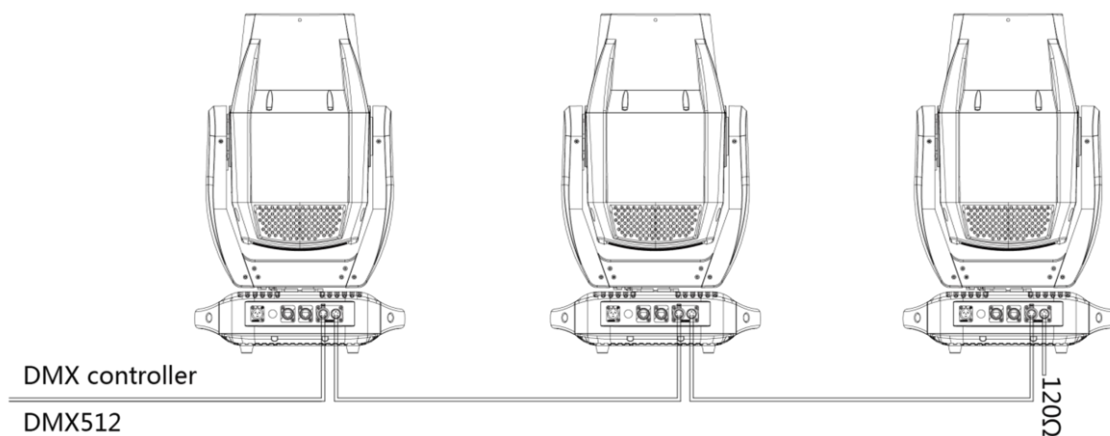
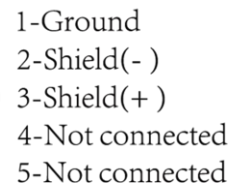
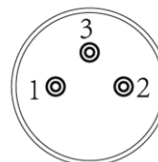
DMX-output

XLR mounting-sockets



DMX-input

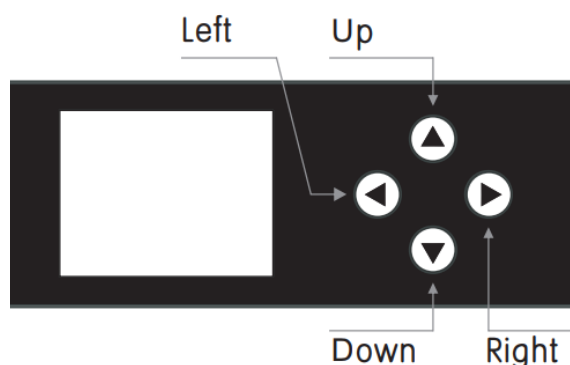
XLR mounting-plugs



3 FUNCTIONS AND SETTINGS

3.1 DISPLAY OPERATION

- ◆ LEFT: Used to access the menu or to return a previous menu option;
- ◆ RIGHT: Used to select and store the current menu or confirm the current function value or option within a menu;
- ◆ UP: Navigates downwards through the menu list and increases the numeric value when in a function;
- ◆ DOWN: Navigates upwards through the menu list and decreases the numeric value when in a function;
- ◆
- ◆ When the display locked, please unlock the display as below:
 1. Keep pressing BACK around 5sec, until the display shows inset password.
 2. Press “up down up down, enter” to unlock.



3.2 Menu Map

ADDRESS	001 – 512(Default 001)		DMX address setting	
PERSON	BASIC		Use the menu to select desired channel mode	
	STANDARD (Default)			
	EXTEND			
RUNMODE	DMX512 (Default)		Select Signal	
	ARTNET		Default: DMX512	
	ARTNET TO DMX		ARTNET: Ethernet control	
	sACN		CUSTOM1-2 Set up get into EDIT	
	AUTO		MENU edit	
	CUSTOM1			
	CUSTOM2			
OPTION	PAN INVERT	OFF(Default)	PAN moving direction selection	
		ON		
	TILT INVERT	OFF(Default)	TILT moving direction selection	
		ON		
	PERFORM	STUDIO		Fan mode low speed
		POWER		Fast rotation of fan, all power
LIVE (Default)		Automatic rotation of fan		

BLACKOUT	OFF (Default)		Select OFF blackout without delay
	ON		Select ON Blackout delay 3s
DIMMER	DIM4 (Default)		Dimming curves OFF (fast) to DIM4 (slow);
	DIM3		
	DIM2		
	DIM1		
	OFF		
LED PWM	1200Hz(Default)		Sets the PWM frequency
	2400Hz		
	4000Hz		
	6000Hz		
	25000Hz		
DMX ERROR	SAVE (Default)		Hold after loss of DMX signal
	BLACK		Blackout after loss of DMX signal
DISPLAY TIME	On		Display backlight always on
	30s(Default)		Turns off display backlight after 30s/1min
	1min		
	2min		/2min of inactivity
DISPLAY LOCK	OFF		Locks display (passcode is <UP>, <DOWN>,<UP>, <DOWN>, <ENTER>)
	ON (Default)		
LOAD PARA	NO(Default)		Not upload data
	YES		Upload data
SETTING	RECOVERY	****	Restore default factory settings.
	CLEAN EDIT1	****	Clean customer self-editing scene 1
	CLEAN EDIT2	****	Clean customer self-editing scene 2
	WDMX HIDE	NO	YES
YES			
NETWORK	NET SWITCH	2.xxx.xxx.xxx	Net switch off IP mode
		10.xxx.xxx.xxx	Net switch on IP mode
	UNIVERS	0-255	Packet group Settings
	IP MODE	DEFAUL IP	Default IP
		CUSTOM IP	Customer's IP
CUSTOM IP	XX.XX.XX.XX	Customer's IP setting	
PT ENCODER	OFF		XY Encoder switch. OFF is close; ON is open.
	ON(Default)		
LANGUAGE	****	中文	Language
		English(Default)	
WDMX	NO		Do not clear the receiver's message.
RESET	YES		Clear the receiver's message

	SIGNAL	ONLY XLRDMX		ONLY XLR is wire only	
		XLRDMX FIRST		XLR FIRST is wire first	
		ONLY WDMX		ONLY WDMX is wireless only	
		WDMX FIRST		WDMX FIRS is wireless first	
		WDMX TO XLRDMX		WDMX TO DMX is wireless to wired	
EDIT	EDIT 1-2	STEP 1-30	PAN	0-255	Edit the custom programs1-30 Select play 【EDIT 1】 in RUNMOEDE CUSTOM 1; Select play 【EDIT 2】 in RUNMOEDE CUSTOM 2
			TILT	0-255	
			PT SPEED	0-255	
			CMY_C	0-255	
			CMY_M	0-255	
			CMY_Y	0-255	
			COLOR	0-255	
			ROTA.GOBO	0-255	
			GOBO.ROTA	0-255	
			FIXED GOBO	0-255	
			INSERT EFFECT	0-255	
			ANIMATION	0-255	
			PRISM	0-255	
			FROST	0-255	
			ZOOM	0-255	
			FOCUS	0-255	
			DIMMER	0-255	
STROBE	0-25				
TIME	0-255				
USE	YES/NO	Select YES to run the steps user need.			
MANUAL	AUTO TEST				
	CHANNEL	PAN	0-255	Manual control channel	
		TILT	0-255		
		PT SPEED	0-255		
		CMY_C	0-255		
		CMY_M	0-255		
		CMY_Y	0-255		
		COLOR	0-255		
		ROTA.GOBO	0-255		
		GOBO.ROTA	0-255		
		FIXED GOBO	0-255		
		INSERT EFFECT	0-255		
		ANIMATION	0-255		
PRISM	0-255				

		FROST	0-255	
		ZOOM	0-255	
		FOCUS	0-255	
		DIMMER	0-255	
		STROBE	0-25	
	DEBUG HIDE	NO		0-255
		YES		
	RESET	ALL RESET		Select Yes/No to carry out all reset
		PT RESET		Select Yes/No to carry out P/T reset
		COLOR SYSTEM		COLOR/CTO reset
		GOBO SYSTEM		COLOR RESET, GOBO RESET, FGOBO RESET
		OTHER		ZOOM, FOCUS, PRISM
	INFO	FIXTURE HOURS		Hours of fixture use
		LED USE HOURS		LED use time
		TEMPERATURE		LED temperature
VERSION		Software versions		
NETWORK		Check network parameter		
RDM		UID	0x388Axxxxxxx	Check fixture's ID
		LABEL	NEPTUNE 550 HYBRID	Check fixture's LABEL
SYSTEM ERROR		MEMORY IC		Memory IC
		ANGLESENSOR		Angle Sensor
		PAN SENSOR		Pan Sensor
		PAN ENCODER		Pan Encoder
		PAN DRIVEIC		Pan Drive IC
		TILT SENSOR		Tilt Sensor
		TILT ENCODER		Tilt Encoder
		TILT DRIVEIC		Tilt Drive IC
		TEMPERATURE		Temperature
		CMY_C RESET		CMY_C reset
		CMY_M RESET		CMY_M reset
		CMY_Y RESET		CMY_Y reset
		COLOR RESET		Color reset
		GOBO RESET		Gobo reset
		RGOBO RESET		Rgobo reset
		FGOBO RESET		Fgobo reset
		ANIMATION RESET		Animation reset
		PRISM RESET		Prism reset
FROST RESET		Frost reset		
ZOOM RESET		Zoom reset		
FOCUS RESET		Focus reset		

SERVICE	****	PAN	±127	Pan position fine adjustment
		TILT	±127	Tilt position fine adjustment
		CMY-C	±127	CMY-C position fine adjustment
		CMY-M	±127	CMY-M position fine adjustment
		CMY-Y	±127	CMY-Y position fine adjustment
		COLOR	±127	Color position fine adjustment
		ROTA.GOBO	±127	ROTA.GOBO position fine adjustment
		GOBO.ROTA	±127	GOBO.ROTA position fine adjustment
		FIXED GOBO	±127	FIXED GOBO position fine adjustment
		ANIMATION	±127	ANIMATION position fine adjustment
		PRISM	±127	PRISM position fine adjustment
		FROST	±127	ZOOM position fine adjustment
		ZOOM	±127	Zoom position fine adjustment
		FOCUS	±127	Focus position fine adjustment

All passwords of this product are <UP>, <DOWN>, <UP>, <DOWN>, <ENTER>

4 USING A DMX512 CONTROLLER

4.1 DMX CONTROL

BASIC (22CH)	STANDARD (26CH)	Extend (30CH)	Value	Function
CH.1	CH.1	CH.1	000-255	PAN 0-540°
-	CH.2	CH.2	000-255	PAN FINE
CH.2	CH.3	CH.3	000-255	TILT 0-270°
-	CH.4	CH.4	000-255	TILT FINE
CH.3	CH.5	CH.5	000-255	PT Speed
CH.4	CH.6	CH.6	000-255	CYAN
CH.5	CH.7	CH.7	000-255	MAGENTA
CH.6	CH.8	CH.8	000-255	YELLOW
CH.7	CH.9	CH.9	COLOUR MACRO	
			000-010	No Function
			11-20	L106
			21-30	L194
			31-40	L019
			41-50	R08
			51-60	L213
			61-70	R80
			71-80	L202
			81-90	L328
			91-100	R3314
			101-110	L101
			111-120	L768
			121-128	No Function
			129-147	CYAN 100% / MAGENTA UP / YELLOW 0%
			148-166	CYAN DOWN / MAGENTA 100% / YELLOW 0%
			167-185	CYAN 0% / MAGENTA 100% / YELLOW UP
			186-204	CYAN 0% / MAGENTA DOWN / YELLOW 100%
205-223	CYAN UP / MAGENTA 0% / YELLOW 100%			
224-242	CYAN 100% /MAGENTA 0%/YELLOW DOWN			
243-255	CYAN 100%/MAGENTA UP/YELLOW 0%			
CH.8	CH.10	CH.10	000-255	CMY SPEED(SPEED 100%->1)
CH.9	CH.11	CH.11	COLOR WHEEL 7+1	
			000-007	WHITE
			008-015	COLOR 1
			016-023	COLOR 2
			024-031	COLOR 3

			032-039	COLOR 4
			040-047	COLOR 5
			048-055	COLOR 6
			056-063	COLOR 7
			064-191	COLOR WHEEL1 0-360°
			192-222	COLOR WHEEL POSITIVE RAINBOW EFFECT(SPEED 100%->1)
			223-224	STOP
			225-255	COLOR WHEEL REVERSE RAINBOW EFFECT(SPEED 1->100%)
-	-	CH.12	000-255	COLOR WHELL FINE
CH.10	CH.12	CH.13	ROTATING GOBO 7+1	
			000-010	ROTATING WHITE
			011-018	ROTATING GOBO 1
			019-026	ROTATING GOBO 2
			027-034	ROTATING GOBO 3
			035-042	ROTATING GOBO 4
			043-050	ROTATING GOBO 5
			051-058	ROTATING GOBO 6
			059-066	ROTATING GOBO 7
			067-074	ROTATING GOBO 1 SHAKE (SPEED 1 → 100%)
			075-082	ROTATING GOBO 2 SHAKE (SPEED 1 → 100%)
			083-090	ROTATING GOBO 3 SHAKE (SPEED 1 → 100%)
			091-098	ROTATING GOBO 4 SHAKE (SPEED 1 → 100%)
			099-106	ROTATING GOBO 5 SHAKE (SPEED 1 → 100%)
			107-114	ROTATING GOBO 6 SHAKE (SPEED 1 → 100%)
			115-122	ROTATING GOBO 7 SHAKE (SPEED 1 → 100%)
				123-127
	128-190	ROTATING GOBO FLOWING WATER EFFECT (SPEED 100 → 1%)		
	191-192	STOP WATER EFFECT		
	193-255	ROTATING GOBO FLOWING WATER EFFECT (SPEED 1 → 100%)		
CH.11	CH.13	CH.14	GOBO ROTATING	
			0-120	ROTATING GOBO ANGLE ADJUSTMENT (0 → 360°)
			121-125	STOP
			126-165	ROTATING GOBO SHAKE (SPEED 1 → 100%)
			166-170	STOP
			171-210	ROTATING GOBO POSITIVE ROTATION (SPEED 100% → 1)
			211-215	STOP
	216-255	ROTATING GOBO REVERSE ROTATION (SPEED 1 → 100%)		
-	CH.14	CH.15	000-255	GOBO ROTATING FINE
CH.12	CH.15	CH.16	FIXED GOBO 7+1	
			000-010	WHITE

			011-018	FIXED GOBO 1
			019-026	FIXED GOBO 2
			027-034	FIXED GOBO 3
			035-042	FIXED GOBO 4
			043-050	FIXED GOBO 5
			051-058	FIXED GOBO 6
			059-066	FIXED GOBO 7
			067-074	FIXED GOBO 1 SHAKE (SPEED 1 → 100%)
			075-082	FIXED GOBO 2 SHAKE (SPEED 1 → 100%)
			083-090	FIXED GOBO 3 SHAKE (SPEED 1 → 100%)
			091-098	FIXED GOBO 4 SHAKE (SPEED 1 → 100%)
			099-106	FIXED GOBO 5 SHAKE (SPEED 1 → 100%)
			107-114	FIXED GOBO 6 SHAKE (SPEED 1 → 100%)
			115-122	FIXED GOBO 7 SHAKE (SPEED 1 → 100%)
			123-127	WHITE
			128-190	STATIC GOBO JUMPING WATER EFFECT (SPEED 100 → 1%)
			191-192	STOP WATER EFFECT
			193-255	STATIC GOBO FLOWING WATER EFFECT (SPEED 1 → 100%)
CH.13	CH.16	CH.17	0-255	Insert effect wheel
CH.14	CH.17	CH.18	ANIMATION DISC ROTATION	
			0-10	WHITE
			11-127	Animation Insertion CW Rotate Slow to Fast
			128-138	Rotation STOP
139-255	Animation Insertion CCW Rotate Fast to Slow			
CH.15	CH.18	CH.19	PRISM	
			0-10	WHITE
			11-145	PRISM INSERT AND ADJUST THE ANGLE (0 → 360°)
			146-150	STOP
			151-200	PRISM INSERT AND POSITIVE ROTATION (SPEED 100% → 1)
			201-205	STOP ROTATION
206-255	PRISM INSERT AND REVERSE ROTATION (SPEED 1 → 100%)			
CH.16	CH.19	CH.20	FROST	
			0-10	NO FUNCTION
			11-255	LINEAR CUT (0-100%)
CH.17	CH.20	CH.21	0-255	ZOOM
-	-	CH.22	0-255	ZOOM FINE
CH.18	CH.21	CH.23	0-255	FOCUS
-	-	CH.24	0-255	FOCUS FINE
CH.19	CH.22	CH.25	AUTO FOCUS	
			0-12	NO FUNCTION

			13-39	5 METER
			40-66	7 METER
			67-93	9 METER
			94-120	11 METER
			121-147	13 METER
			148-174	15 METER
			175-201	17 METER
			202-228	19 METER
			229-255	21 METER
-	-	CH.26	0-255	AUTO FOCUS FINE
CH.20	CH.23	CH.27	0-255	DIMMER
-	CH.24	CH.28	0-255	DIMMER FINE
CH.21	CH.25	CH.29	STROBE	
			0-9	NO FUNCTION
			10-99	STROBE (FROM SLOW TO FAST)
			100-109	NO FUNCTION
			110-179	LIGHTNING STROBE
			180-189	NO FUNCTION
			190-255	RANDOM SROBE
CH.22	CH.26	CH.30	CONTROL (EXECUTE AFTER 3 SECONDS)	
			000-010	NO FUNCTION
			011-020	PAN/TILT BLACK ACTIVATED
			021-030	PAN/TILT BLACK DEACTIVATED
			031-040	PAN INVERT
			041-050	TILT INVERT
			051-060	PAN/TILT INVERT OFF
			061-070	STUDIO
			071-080	POWER
			081-100	LIVE
			101-110	DIM4
			111-120	DIM3
			121-130	DIM2
			131-140	DIM1
			141-150	DIM0
			151-160	1200Hz
			161-170	2400Hz
			171-180	4000Hz
			181-190	6000Hz
			191-200	25000Hz
201-210	ALL RESET			

		211-220	XY RESET
		221-230	COLOR SYSTEM RESET
		231-240	FOCUSZOOM RESET
		241-255	FRAMING RESET