

# BOLT C

## ● PRODUCT INTRODUCTION



## ● PRODUCT PARAMETERS

Source: 1x 400W RGBLA LED

Colour Temperature: 1750-20000K

CRI Ra: 96 @ 2500K and 93 @ 20000K

Brightness: 20500 lumens (76,3 lumens/watt); 459 lux @ 5m

Beam Angle: 50 degrees (87 degrees field angle)

Lens: interchangeable magnetic lens for standard blinder effect or fresnel effect

Dimmer: 0-100%

Strobe: 0-20Hz

Control Protocols: DMX512A, RDM ANSI E1.20

Tilt Movement: 0-270 degrees (manual adjustment)

Max. Power Consumption: 320W

Dimensions: 223,5 x 255,5 x 287 mm

Weight: 4,5 Kg

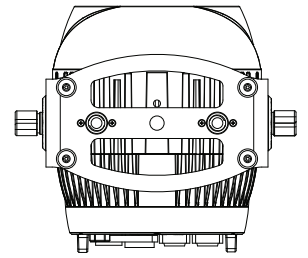
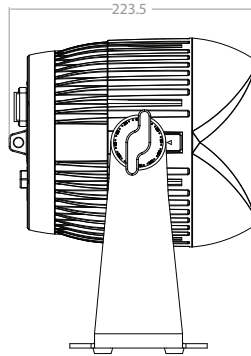
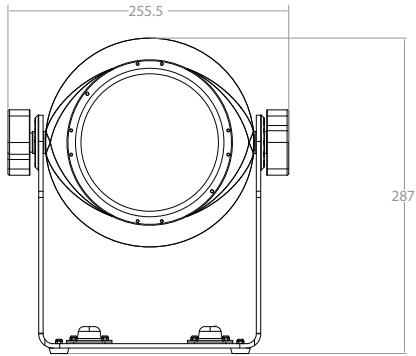
IP Grade: IP65

Rigging: 1x omega clamp

# BOLT C



## DIMENSIONS



## ACCESSORIES



Yoke 2.2



Fresnel Lens



Halogen



Connector



Barndoor