

BOLT W

● PRODUCT INTRODUCTION



● PRODUCT PARAMETERS

Source: 1x 300W Warm White LED with Red Shift Effect (using additional red and amber LEDs)

Colour Temperature: 1750-3000K

CRI Ra: 81

Brightness: 31940 lumens (128,3 lumens/watt); 748 lux @ 5m

Beam Angle: 50 degrees (87 degrees field angle)

Lens: interchangeable magnetic lens for standard blinder effect or fresnel effect

Dimmer: 0-100%

Strobe: 0-20Hz

Control Protocols: DMX512A, RDM ANSI E1.20

Tilt Movement: 0-270 degrees (manual adjustment)

Max. Power Consumption: 340W

Dimensions: 223,5 x 255,5 x 287 mm

Weight: 4,5 Kg

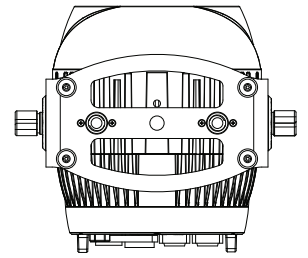
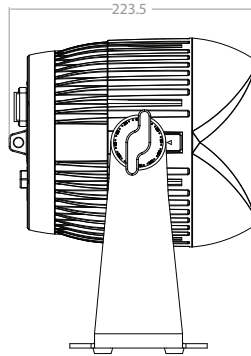
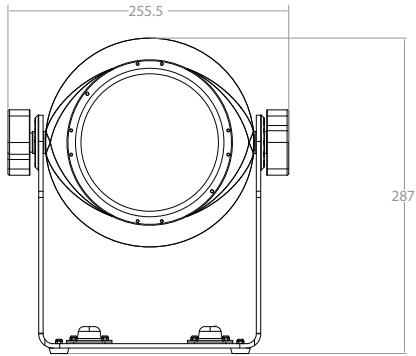
IP Grade: IP65

Rigging: 1x omega clamp

BOLT W



DIMENSIONS



ACCESSORIES

