

D-BOLT W

● PRODUCT INTRODUCTION



● PRODUCT PARAMETERS

Main Source: 2x 300W Warm White LEDs with Red Shift Effect (using additional red and amber LEDs)

Secondary Source: 2x LED stripes, each with 24x 2W white LEDs

Colour Temperature: 1750-3000K

CRI Ra: 81

Brightness: 39094 lumens (55,8 lumens/watt); 1895 lux @ 5m

Beam Angle: 50 degrees (93 degrees field angle)

Lens: interchangeable magnetic lens for standard blinder effect or fresnel effect

Dimmer: 0-100%

Strobe: 0-20Hz

Control Protocols: DMX512A, RDM ANSI E1.20

Control Segments: 2 (main source) and 32 (secondary source)

Tilt Movement: 0-40 degrees each head, 0-360 degrees the entire fixture (manual adjustment)

Max. Power Consumption: 700W

Dimensions: 495 x 299 x 199 mm

Weight: 9,1 Kg

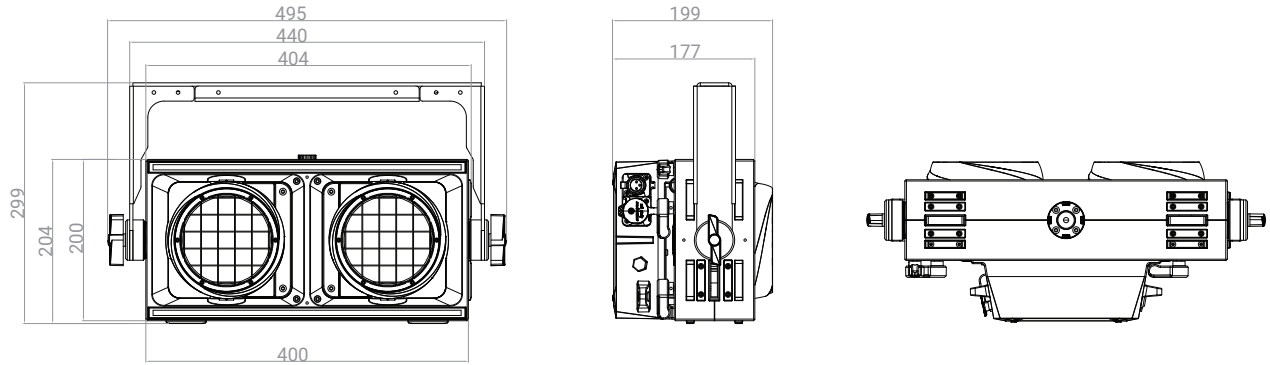
IP Grade: IP65

Rigging: 1x omega clamp and integrated connectors on left / right / up / down

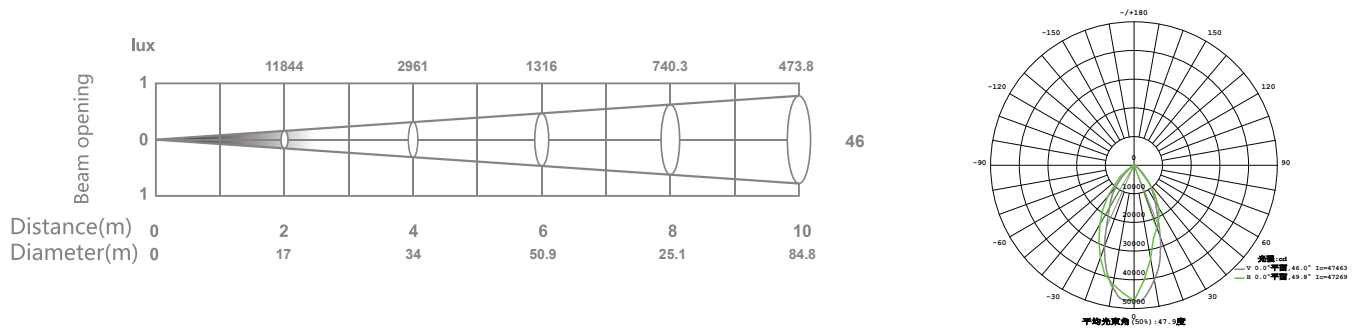
D-BOLT W



DIMENSIONS



PHOTOMETRIC DATA



ACCESSORIES



Yoke 2.2



Floor Extension



Rigging Bracket G2



Floor Bracket



Fresnel Lens