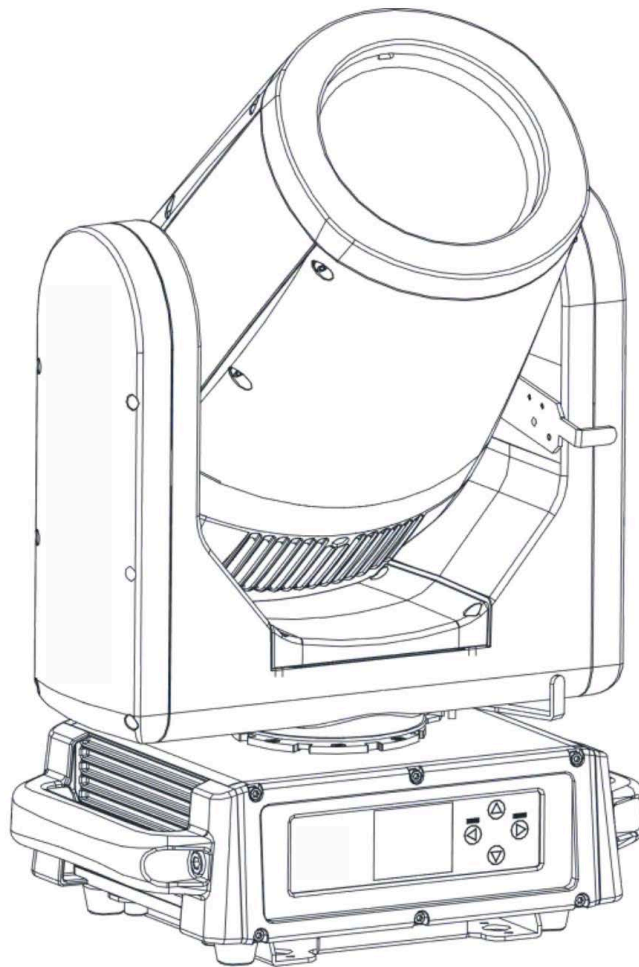


# LaserBeam One

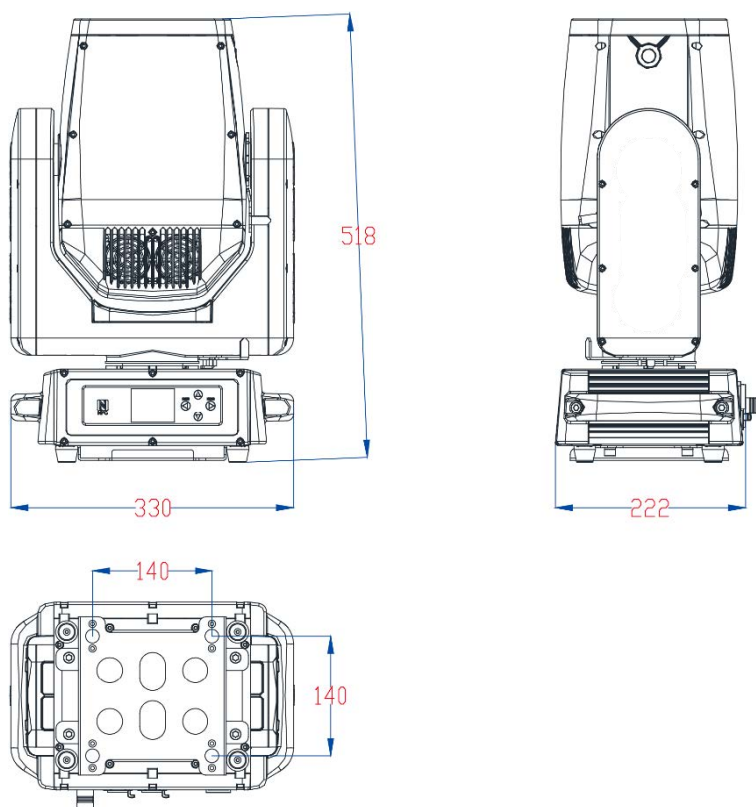
## USER MANUAL



# 1 PRODUCT

## 1.1 TECHNICAL SPECIFICATIONS

LED colors	120W Laser source
Angle	1.2°
Power	200W
Control Protocol	DMX512, RDM, NFC, W-DMX(Optional)
Voltage Range	100-240V~,50/60Hz
Input Current	110V/1.82A,220V/0.91A
Protection	IP66
Operation Temperature	-20°C~45°C
Dimensions	330*222*518mm
Weight	21kg



## 1.2 Safety Notes

### **IMPORTANT**

- This product must be installed by a qualified professional.
- In order to maintain this condition and to ensure a safe operation, it is absolutely necessary for the user to follow the safety instructions and warning notes
- The manufacturer will not accept liability for any resulting damages caused by the non-observance of this manual or any unauthorized modification to the device.

### **CAUTION!**

- Make sure that the available voltage is not higher than stated on the rear panel.
- Do not touch the power cables if your hands are wet.
- The earth wire must always be connected to the ground. Therefore it is essential to connect the yellow/green conductor to earth.
- Make sure that the power-cord is never crimped or damaged by sharp edges. Check the device and the power-cord from time to time. The electric connection, repairs and servicing must be carried out by a qualified employee.
- Always disconnect power input cable to completely remove power from unit when not in use or before cleaning or servicing the fixture.
- Do not switch the fixture on and off in short intervals as this would reduce the lamp's life.
- Do not touch the device's housing bare hands during its operation (housing becomes hot)! The surface of the product's casing can reach up to 70° C (158° F) during operation. Avoid contact by persons and materials. Do not install the product in a location where there is a risk of accidental contact. Allow the product to cool for at least 10 minutes before handling.
- For replacement use lamps and fuses of same type and rating only.
- Please protect the fixture and avoid destroy during transport and installation. If there is any damage to the coating, the shell may be corroded.
- When hanging lamps and lanterns, it is necessary to verify that facilities and hooks can bear at least 10 times the weight of lamps and lanterns.
- Fix the safety rope at the correct holes only. Only operate the fixture after having checked that the housing is firmly closed and all screws are tightly fastened.
- The maximum ambient temperature 45°C must never be exceeded. Do not operate the product if the ambient temperature (Ta) exceeds 45° C (115° F).
- During the initial start-up some smoke or smell may arise. This is a normal process and does not necessarily mean that the device is defective.

### **Electrical Warning**

- The light source contained in this luminaire shall only be replaced by the manufacturer or his service agent or a similar qualified person
- For replacement use lamps and fuses of same type and rating only.
- The lens has to be replaced when it is obviously damaged, so that its function is impaired, e. g. due to cracks or deep scratches!

### **Keep the product well away from flammable materials**

- Keep all combustible materials (e.g. fabric, wood, paper) at least 1000 mm (40 in.) away from the product.
- Ensure that there is free and unobstructed airflow around the product. Provide a minimum

clearance of 150 mm (6 in.) around fans and air vents.

- Do not illuminate surfaces within 3 m (10 ft.) of the product.
- Do not install a fuse that has a higher rating than the one originally installed in the product. Do not bypass fuses.
- Do not stick filters, masks or other materials onto optical components.
- If the fixture seems to be abnormally hot, shows signs of melting or emits smoke, disconnect the fixture from power immediately and allow it to cool. Do not touch the fixture without heatproof safety gloves. Keep the fixture well away from combustible and flammable materials.

**NEVER LOOK DIRECTLY INTO THE LIGHT SOURCE!  
RETINA INJURY RISK - MAY INDUCE BLINDNESS!**

**Do not point the front of the fixture towards the sun or other strong light sources. The front lens focuses and concentrates light just like a magnifying glass. Strong light can cause internal damage to the fixture, melting components or starting an internal fire within seconds.**

**To avoid problems from strong light sources:**

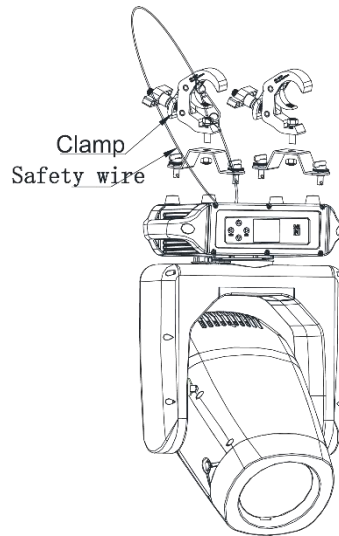
- Do not expose the front of a fixture to sunlight or any other strong light source. Avoid pointing other high-powered beam lights directly at the fixture.
- Do not focus a light beam from one lighting fixture directly towards another.
- For outdoor applications during daylight, make sure that the front face of any fixture is shielded or points away from the sun, even when not in use.
- Do not expose the product to heat (from other lighting fixtures for example).

# 2 INSTALLATION

## 2.1 MOUNTING

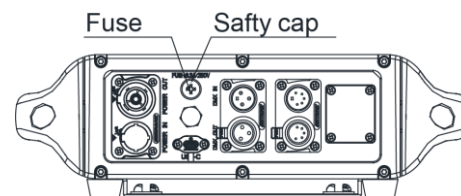
### Truss installation

- ◆ Keep all combustible materials (e.g. fabric, wood, paper) at least 500 mm (20 in.) away from the product.
- ◆ For overhead use, always install a safety cable that can hold at least 10 times the weight of the fixture.
- ◆ For overhead installation, the fixture must be always secured with a safety wire that can bear at least 10 times the weight of the fixture;
- ◆ Secure the fixture with a safety cable through the rear safety eye and truss as shown..
- ◆ Ensure that the structure (truss) to which you are attaching the fixture is secure



## 2.2 Fuse replacement

- ◆ Remove the safety cap by a screwdriver.
- ◆ Fetch the old fuse from safety cap.
- ◆ Install a new fuse.
- ◆ Install the safety cap.



## 2.3 POWER CONNECTIONS

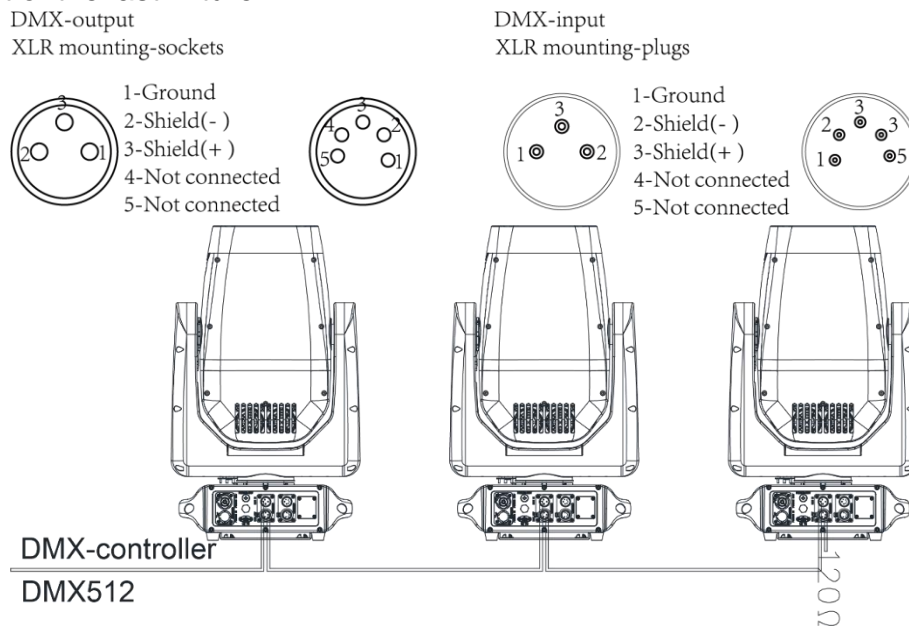
- ◆ POWER Linking: 4 units@110V; 9 units@220V.
- ◆ This product has an auto-ranging power supply that can work with an input voltage range of 100–240 VAC, 50/60 Hz.

AC Plug

Connection	Wire (U.S.)	Wire(Europe)	Screw Color
AC Live	Black	Brown	Yellow/Brass
AC Neutral	White	Blue	Silver
AC Ground	Green/Yellow	Green/Yellow	Green

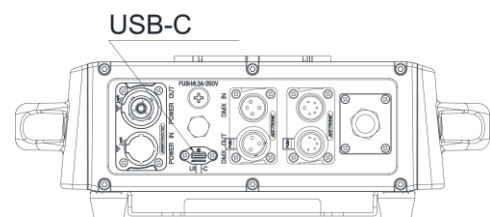
## 2.4 Data network requirements

- ◆ Connect the DMX512 controller to the units in series. A DMX 512 data link is required in order to control the fixture via DMX. The fixture has 3/5-pin XLR connectors for DMX data input and output.
- ◆ Each unit has N DMX channels so the DMX Addresses should increase by increments of 1, (Nx1)+1, (Nx2)+1, (Nx3)+1...
- ◆ Any DMX address in the range from 001 to 512 may be used.
- ◆ Connect the DMX-output of the first fixture in the DMX chain with the DMX-input of the next fixture. Always connect one output with the input of the next fixture until all fixtures are connected.
- ◆ Caution: At the last fixture, the DMX-cable has to be terminated with a terminator. Solder a 120 Ω resistor between Signal (-) and Signal (+) into a 3/5-pin XLR-plug and plug it in the DMX-output of the last fixture.



## 2.5 Update software

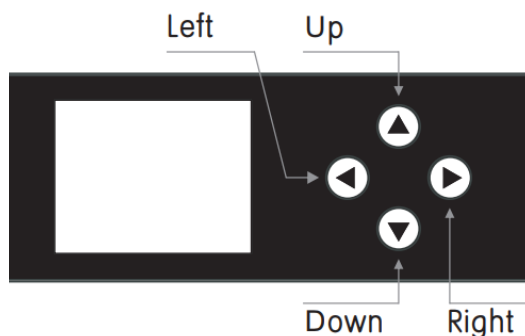
- ◆ Steps of updating software with USB-C interface:
  1. Insert USB-C U dish into USB-C interface
  2. After finding "Upgrade Software" in the menu, Find the corresponding software and click OK



# 3 FUNCTIONS AND SETTINGS

## 3.1 DISPLAY OPERATION

- ◆ MENU: Used to access the menu or to return a previous menu option;
- ◆ ENTER: Used to select and store the current menu or confirm the current function value or option within a menu;
- ◆ UP: Navigates downwards through the menu list and increases the numeric value when in a function;
- ◆ DOWN: Navigates upwards through the menu list and decreases the numeric value when in a function;
- ◆ Lock screen password: Long press 5s Left, Input after the screen is bright - UP/DOWN/UP/DOWN



## 3.2 Menu Map

ADDRESS	001 – 512(Default 001)		DMX address setting
PERSON	BASIC		Use the menu to select desired channel mode
	STANDARD (Default)		
	EXTEND		
RUNMODE	DMX512 (Default)		Select Signal
	AUTO		Default: DMX512
	CUSTOM1		CUSTOM1-2 Set up get into EDIT MENU edit
	CUSTOM2		
OPTION	PAN INVERT	OFF (Default)	PAN moving direction selection
		ON	
	TILT INVERT	OFF (Default)	TILT moving direction selection
		ON	
	PAN DEGREE	630	PAN moving degree selection
		540(Default)	
	PERFORM	STUDIO	Fan mode low speed
		POWER	Fast rotation of fan, all power
		LIVE (Default)	Automatic rotation of fan
	BLACKOUT	OFF (Default)	Select OFF blackout without delay
		ON	Select ON Blackout delay 3s
	DIMMER SPEED	Halogen (Default)	Dimming speed LED (fast) to Halogen (slow):
		LED	
	DIMMER CURVE	LINEAR	Sets the Dimmer curve
SQUARE LAW (Default)			

		INV. SQUARE LAW			
		S-CURVE			
	PWM	1200Hz (Default)		Sets the PWM frequency	
		2400Hz			
		4000Hz			
		6000Hz			
		25000Hz			
	NO DMX MODE	FREEZE (Default)		Hold after loss of DMX signal	
		BLACKOUT		Blackout after loss of DMX signal	
	DISPLAY TIME	On		Display backlight always on	
		30s		Turns off display backlight after 30s/1min /2min of inactivity	
		1min (Default)			
		2min			
	DISPLAY LOCK	OFF		Locks display (passcode is <UP>, <DOWN>,<UP>, <DOWN>, <ENTER>)	
		ON (Default)			
	LOAD PARA	OFF		Upload data	
		NO		Not upload data	
	SETTING	RECOVERY	****	Restore default factory settings.	
		CLEAN EDIT1	****	Clean customer self-editing scene 1	
		CLEAN EDIT2	****	Clean customer self-editing scene 2	
		WDMX HIDE	YES	Hide wireless mode WDMX reset and signal hide and the default is wired mode only	
	NO				
	PT ENCODER	OFF		XY Encoder switch.	
		ON		OFF is close; ON is open.	
	LANGUAGE	****	Chinese	Language	
			ENGLISH		
	WDMX RESET	YES		Clear the receiver's message	
		NO		Do not clear the receiver's message	
	SIGNAL	ONLY XLRDMX (Default)		ONLY XLR is wire only	
		XLRDMX FIRST		XLR FIRST is wire first	
		ONLY WDMX		ONLY WDMX is wireless only	
		WDMX FIRST		WDMX FIRS is wireless first	
		WDMX TO XLRDMX		WDMX TO DMX is wireless to wired	
EDIT	EDIT 1-2	STEP 1-30	PAN	0-255	Edit the custom programs1-30 Select play 【EDIT 1】 in RUNMOEDE CUSTOM 1; Select play 【EDIT 2】 in RUNMOEDE CUSTOM 2
			TILT	0-255	
			PT SPEED	0-255	
			CMY C	0-255	
			CMY M	0-255	
			CMY Y	0-255	
			COLOR	0-255	
			ROTA.GOBO	0-255	
			GOBO.ROTA	0-255	
			PRISM 1	0-255	
			PRISM 2	0-255	
			FM COLOR	0-255	

			FOCUS	0-255	
			DIMMER	0-255	
			STROBE	0-25	
			TIME	0-255	
			USE	YES/NO	Select YES to run the steps user need.
MANUAL	Auto Test				Auto Test channel
	CHANNEL	PAN	0-255		Manual control channel
		TILT	0-255		
		PT SPEED	0-255		
		CMY C	0-255		
		CMY M	0-255		
		CMY Y	0-255		
		COLOR	0-255		
		ROTA.GOBO	0-255		
		GOBO.ROTA	0-255		
		PRISM 1	0-255		
		PRISM 2	0-255		
		FM COLOR	0-255		
		FOCUS	0-255		
		DIMMER	0-255		
	STROBE	0-25			
	DEBUG HIDE	YES			Factory testing mode. All stepper motors are not controlled by signal, It only works again after the reset.
		NO			
	RESET	ALL RESET			Select Yes/No to carry out all reset
		PT RESET			Select Yes/No to carry out P/T reset
COLOR SYS			Color/CMYK reset		
FOCUS RESET			Focus/Zoom reset		
GOBO SYS			GOBO reset		
INFO	FIXTURE HOURS				Hours of fixture use
	LED USE HOURS				LED use time
	TEMPERATURE				LED temperature
	VERSION				Software versions
	RDM	UID	0x388Axxxxxxx		Check fixture's ID
		LABEL			Check fixture's LABEL
	SYSTEM ERROR	MEMORY IC			Memory IC
		ANGLESENSOR			Angle Sensor
		PAN SENSOR			Pan Sensor
		PAN ENCODER			Pan Encoder
		PAN DRIVEIC			Pan Drive IC
		TILT SENSOR			Tilt Sensor
		TILT ENCODER			Tilt Encoder
TILT DRIVEIC			Tilt Drive IC		
TEMPERATURE			Temperature		
CMY_C RESET			CMY C Reset		
CMY_M RESET			CMY M Reset		

		CMY_Y RESET		CMY Y Reset
		COLOR RESET		Color Reset
		GOBO RESET		Gobo Reset
		RGOBO RESET		Rotate Gobo Reset
		PRISM 1 RESET		PRISM 1 Reset
		PRISM 2 RESET		PRISM 2 Reset
		FM COLOR RESET		Prism Reset
		FOCUS RESET		FOCUS Reset
SERVICE	****	PAN	±127	Pan position fine adjustment
		TILT	±127	Tilt position fine adjustment
		CMY-C	±127	CMY-C position fine adjustment
		CMY-M	±127	CMY-M position fine adjustment
		CMY-Y	±127	CMY-Y position fine adjustment
		COLOR	±127	CTO position fine adjustment
		ROTA. GOBO	±127	Rotate Gobo position fine adjustment
		GOBO.ROTA	±127	Self-rotation position fine adjustment
		PRISM 1	±127	Prism 1 position fine adjustment
		PRISM 2	±127	Prism 2 position fine adjustment
		FM COLOR	±127	F/M-COLOR position fine adjustment
		FOCUS	±127	Focus position fine adjustment
		FOCUS GOBO	±127	Focus gobo position fine adjustment
UPDATE SOFTWARE				Update software
All passwords of this product are <UP>, <DOWN>,<UP>, <DOWN>, <ENTER>				

# 4 USING A DMX512 CONTROLLER

## 4.1 DMX CONTROL

BASIC (19CH)	STANDARD (23CH)	EXTEND (25CH)	VALUE	Functions
1	1	1	000-255	PAN
-	2	2	000-255	PAN FINE
2	3	3	000-255	TILT
-	4	4	000-255	TILT FINE
3	5	5	000-255	PT Speed
4	6	6	<b>PAN Motor continuous rotation</b>	
			0-63	stop rotation by spinout
			64-127	stop rotation by shortcut
			128-189	Forwards Pan rotation from fast to slow
			190-193	No rotation
194-255	Backwards Pan rotation from slow to fast			
5	7	7	000-255	CYAN
6	8	8	000-255	MAGENTA
7	9	9	000-255	YELLOW
8	10	10	<b>COLOUR MACRO</b>	
			000-010	No Function
			11-20	L106
			21-30	L194
			31-40	L019
			41-50	R08
			51-60	L213
			61-70	R80
			71-80	L202
			81-90	L328
			91-100	R3314
			101-110	L101
			111-120	L768
			121-128	No Function
			129-147	CYAN 100% / MAGENTA UP / YELLOW 0%
			148-166	CYAN DOWN / MAGENTA 100% / YELLOW 0%
			167-185	CYAN 0% / MAGENTA 100% / YELLOW UP
186-204	CYAN 0% / MAGENTA DOWN / YELLOW 100%			
205-223	CYAN UP / MAGENTA 0% / YELLOW 100%			
224-242	CYAN 100% /MAGENTA 0%/YELLOW DOWN			
243-255	CYAN 100%/MAGENTA UP/YELLOW 0%			
9	11	11	000-255	CMY SPEED(SPEED 100%->1)
10	12	12	<b>COLOR WHEEL 19+1</b>	
			000-010	WHITE
			011-013	COLOR 1
			014-016	COLOR 2
			017-019	COLOR 3

			020-022	COLOR 4
			023-025	COLOR 5
			026-028	COLOR 6
			029-031	COLOR 7
			032-034	COLOR 8
			035-037	COLOR 9
			038-040	COLOR 10
			041-043	COLOR 11
			044-046	COLOR 12
			047-049	COLOR 13
			050-052	COLOR 14
			053-055	COLOR 15
			056-058	COLOR 16
			059-061	COLOR 17
			062-064	COLOR 18
			065-067	COLOR 19
			068-070	SPLIT COLORS 0+1
			071-073	SPLIT COLORS 1+2
			074-076	SPLIT COLORS 2+3
			077-079	SPLIT COLORS 3+4
			080-082	SPLIT COLORS 4+5
			083-085	SPLIT COLORS 5+6
			086-088	SPLIT COLORS 6+7
			089-091	SPLIT COLORS 7+8
			092-094	SPLIT COLORS 8+9
			095-097	SPLIT COLORS 9+10
			098-100	SPLIT COLORS 10+11
			101-103	SPLIT COLORS 11+12
			104-106	SPLIT COLORS 12+13
			107-109	SPLIT COLORS 13+14
			110-112	SPLIT COLORS 14+15
			113-115	SPLIT COLORS 15+16
			116-118	SPLIT COLORS 16+17
			119-121	SPLIT COLORS 17+18
			122-124	SPLIT COLORS 18+19
			125-183	COLOR WHELL1 0-360°
			184-218	COLOR WHELL1 RAINBOW EFFECT(SPEED 100%->1)
			219-220	STOP
			221-255	COLOR WHELL1 RAINBOW EFFECT(SPEED 1->100%)
-	-	13	000-255	COLOR WHEEL FINE
11	13	14	<b>ROTATING GOBO 12+1</b>	
			000-010	ROTATING WHITE
			011-013	ROTATING GOBO 1
			014-016	ROTATING GOBO 2
			017-019	ROTATING GOBO 3

			020-022	ROTATING GOBO 4
			023-025	ROTATING GOBO 5
			026-028	ROTATING GOBO 6
			029-031	ROTATING GOBO 7
			032-034	ROTATING GOBO 8
			035-037	ROTATING GOBO 9
			038-040	ROTATING GOBO 10
			041-043	ROTATING GOBO 11
			044-046	ROTATING GOBO 12
			047-052	ROTATING GOBO 1 SHAKE (SPEED 1 → 100%)
			053-058	ROTATING GOBO 2 SHAKE (SPEED 1 → 100%)
			059-064	ROTATING GOBO 3 SHAKE (SPEED 1 → 100%)
			065-070	ROTATING GOBO 4 SHAKE (SPEED 1 → 100%)
			071-076	ROTATING GOBO 5 SHAKE (SPEED 1 → 100%)
			077-082	ROTATING GOBO 6 SHAKE (SPEED 1 → 100%)
			083-088	ROTATING GOBO 7 SHAKE (SPEED 1 → 100%)
			089-094	ROTATING GOBO 8 SHAKE (SPEED 1 → 101%)
			095-100	ROTATING GOBO 9 SHAKE (SPEED 1 → 101%)
			101-106	ROTATING GOBO 10 SHAKE (SPEED 1 → 102%)
			107-112	ROTATING GOBO 11 SHAKE (SPEED 1 → 102%)
			113-118	ROTATING GOBO 12 SHAKE (SPEED 1 → 103%)
			119-127	WHITE
			128-190	STATIC GOBO POSITIVE WATER EFFECT (SPEED 100 → 1%)
			191-192	STOP WATER EFFECT
			193-255	STATIC GOBO REVERSE WATER EFFECT (SPEED 1 → 100%)
			191-192	STOP WATER EFFECT
			193-255	ROTATING GOBO FLOWING WATER EFFECT (SPEED 1 → 100%)
			<b>GOBO ROTATING</b>	
			000-120	ROTATING GOBO ANGLE ADJUSTMENT (0 → 360°)
			121-125	STOP
			126-165	ROTATING GOBO SHAKE (SPEED 1 → 100%)
			166-170	STOP
			171-210	ROTATING GOBO POSITIVE ROTATION (SPEED 100% → 1)
			211-215	STOP
			216-255	ROTATING GOBO REVERSE ROTATION (SPEED 1 → 100%)
-	15	16	000-255	GOBO ROTATING FINE
			<b>PRISM LINEAR 6</b>	
			000-010	WHITE
			011-145	PRISM INSERT AND ADJUST THE ANGLE (0 → 360°)
			146-150	STOP
12	14	15		
13	16	17		

			151-200	PRISM INSERT AND POSITIVE ROTATION (SPEED 100% → 1)
			201-205	STOP ROTATION
			206-255	PRISM INSERT AND REVERSE ROTATION (SPEED 1 → 100%)
14	17	18	<b>PRISM ROUND 8</b>	
			000-010	WHITE
			011-145	PRISM INSERT AND ADJUST THE ANGLE (0 → 360°)
			146-150	STOP
			151-200	PRISM INSERT AND POSITIVE ROTATION (SPEED 100% → 1)
			201-205	STOP ROTATION
			206-255	PRISM INSERT AND REVERSE ROTATION (SPEED 1 → 100%)
15	18	19	<b>FROST/MULTI-COLOR</b>	
			000-063	OPEN
			064-127	FROST
			128-255	MULTI-COLOR
16	19	20	000-255	FOCUS
-	-	21	000-255	FOCUS FINE
17	20	22	000-255	DIMMER
-	21	23	000-255	DIMMER FINE
18	22	24	<b>STROBE</b>	
			000-009	NO FUNCTION
			010-099	STROBE ( FROM SLOW TO FAST )
			100-109	NO FUNCTION
			110-179	LIGHTNING STROBE
			180-189	NO FUNCTION
			190-255	RANDOM STROBE
19	23	25	<b>CONTROL CHANNEL</b>	
			0-10	NO FUNCTION
			11-15	PAN/TILT BLACK ACTIVATED
			16-20	PAN/TILT BLACK DEACTIVATED
			21-25	PAN INVERT
			26-30	TILT INVERT
			31-35	PAN/TILT INVERT OFF
			36-40	PAN DEGREE 630
			41-45	PAN DEGREE 540
			46-100	RESERVED
			101-105	STUDIO
			106-110	POWER
			111-115	LIVE
			116-130	RESERVED
			131-135	DIMMER SPEED Halogen
136-140	DIMMER SPEED LED			
141-145	DIMMER CURVE LINEAR			

			146-150	DIMMER CURVE SQUARE LAW
			151-155	DIMMER CURVE INV. SQUARE LAW
			156-160	DIMMER CURVE S-CURVE
			161-165	1200Hz
			166-170	2400Hz
			171-175	4000Hz
			176-180	6000Hz
			181-185	25000Hz
			186-200	RESERVED
			201-205	ALL RESET
			206-210	XY RESET
			211-215	COLOR SYSTEM RESET
			216-220	GOBO RESET
			221-225	OTHER RESET
			226-250	RESERVED
			251-255	NO FUNCTION