

XPRESSION 250 C6

◆ PRODUCT INTRODUCTION

XPRESSION 250 C6 is a full-color Fresnel, with extremely uniform color mixing and high CRI. It has high-tech CCS intelligent color management system, to correct the color difference problem. 0-100% dimmer, Beam angle 10°-60° (Manual control), Field angle 18°- 88°, rapid and convenient adjustment. The best choice for small and medium-sized application, such as the cultural centers, studio, theatre, television, and multi-functional conference room, etc.



◆ PRODUCT PARAMETERS

Optical system

Light source: 250W RGBALC

Luminous flux: 5750lm

CCT: 1800K-10000K°

Beam angle: 10°-60°

Field angle: 18°-88°

CRI RA/CRI R9/TLCL/CQS: 95/90/85/95

Control System

Dimmer: 0-100% 16Bit

Cooling: Forced convection

Control: DMX512, RDM

Display: On board Control, Custom Mode, 0-25Hz Strobe, Dimming knob

Con Personality: Basic (3CHS), CLR (6CHS), SSP (9CHS), TOUR (13CHS), TR16 (20CHS), HSIC (7CHS)

Appearance

Size: 375 x 254 x 393 mm

Weight: 8.8kg

Casing: Die-cast aluminum

Color: Black

Electrical Specs

Voltage: AC100-240V, 50/60Hz

Max. Power: 250W

Power Connection: Power in and out

DMX XLR: 3pin or 5pin in and out

Work Environment

Ambient Temp: 0°C-45°C

IP Rated: IP20

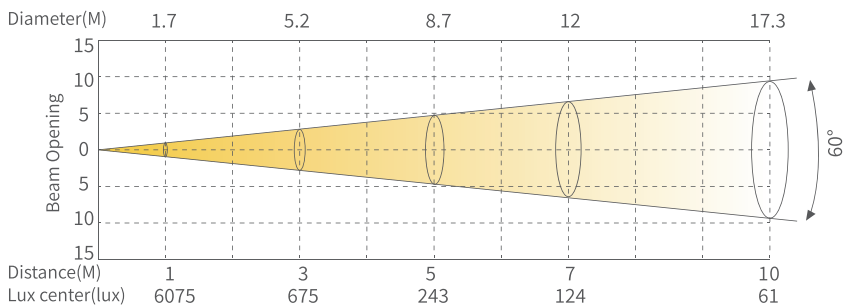
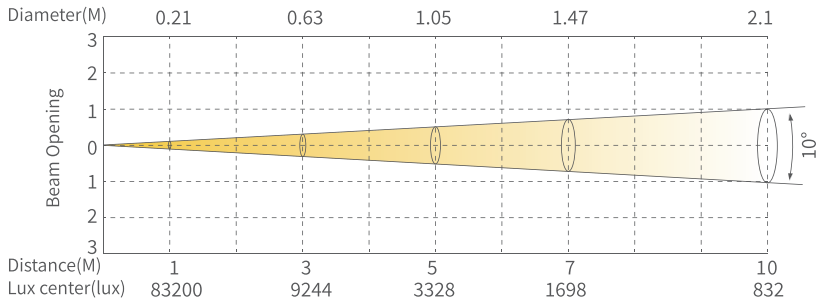
Certification

CE, MET

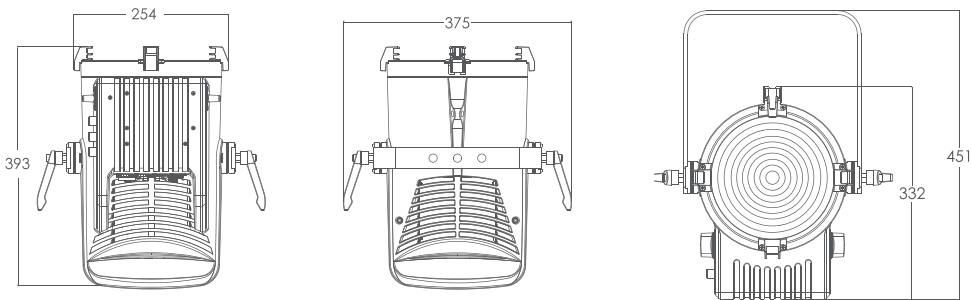
XPRESSION 250 C6



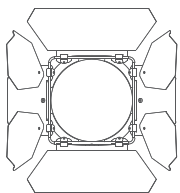
◆ ILLUMINANCE AT DISTANCE



◆ DIMENSIONS



◆ ACCESSORIES (Accessories not included unless otherwise stated)



Barn doors
(6813100036)